

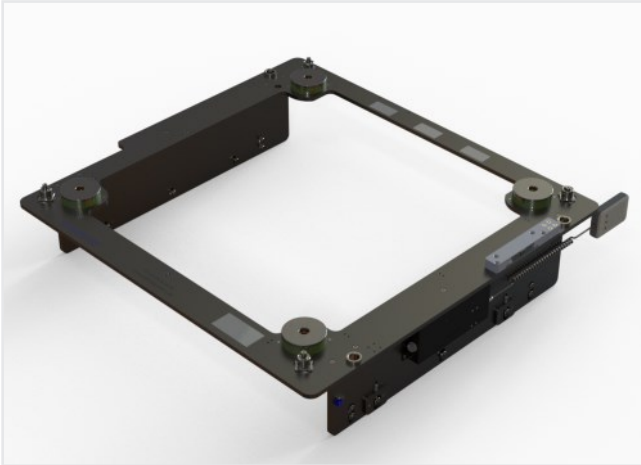
OUR INNOVATION IS YOUR SUCCESS

Final Test and Probe Docking



Download
Flyer

Final Test Docking



Test Head P-Docking

Equipped with patented P-Dock® Modul.

Accurate docking with a very high repeatability in Z-Level (<10µm).

High docking force (>5000N).

Maintenance free & easy operation.

Solutions for all common test heads available.



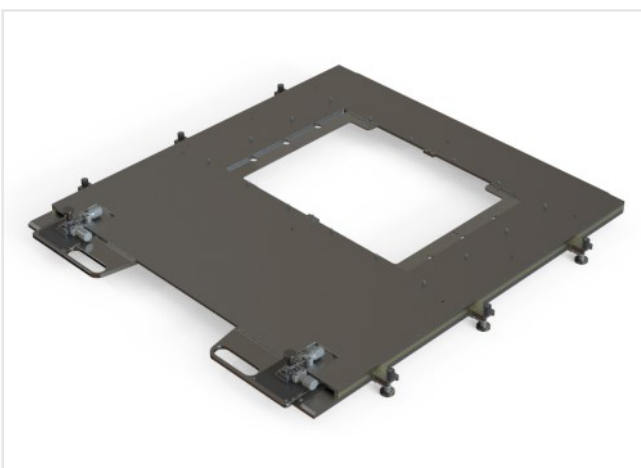
Adjustable Z-Stack Handler Docking Plate

Compatible for engineering and high volume production.

Adjustable Z-Stack travel distance of 50mm.

Solutions for all common handler available.

Suitable for all test head docking solutions on the market.



X/Y Shift Handler Docking Plate

Docking plate with X/Y adjustment which is perfect for frequent setup changes, especially different socket positions.

Probe Docking

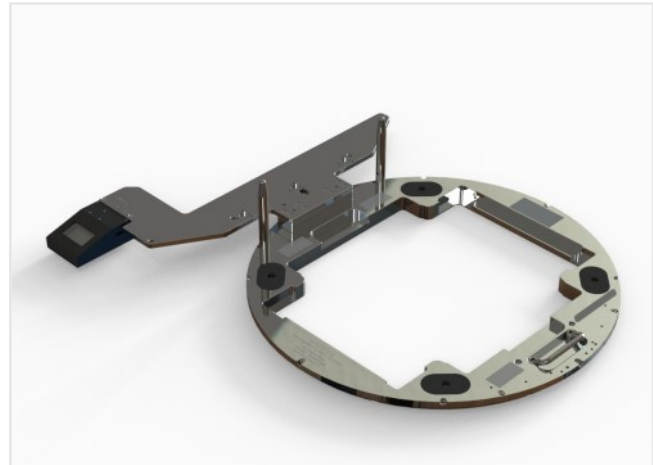
Direct Docking

Equipped with patented Micro P-Dock® Modul.

High docking force (>3000N) and very high repeatability (<10µm).

Best tri-temp performance with optional sealing cover.

Available for all applications from TEL, Accretech, Semics and Electroglas .



Board Changing Systems

Turbodynamics patented 2nd Generation of the Universal Device Interface Board (DIB) Changer.

Simple and fast load board exchange combined with a reliable P-Docking Technology.

Semi- or fully-automated operation mode available.

Ensures an ergonomic and safe load board handling process in combination with the Turbodynamics Probe Card Handling Trolley.



Signal Tower Clam Shell Solution

Designed for easy and ergonomic operation.

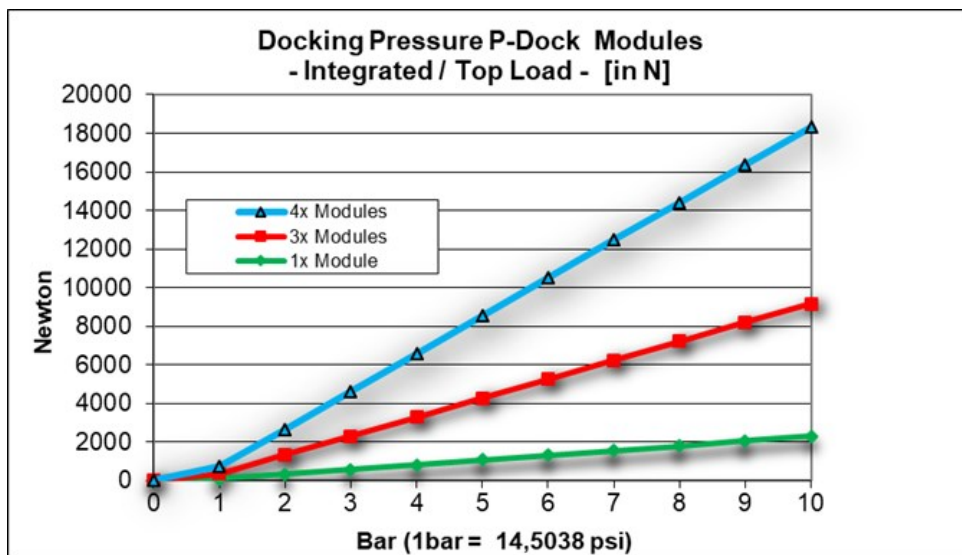
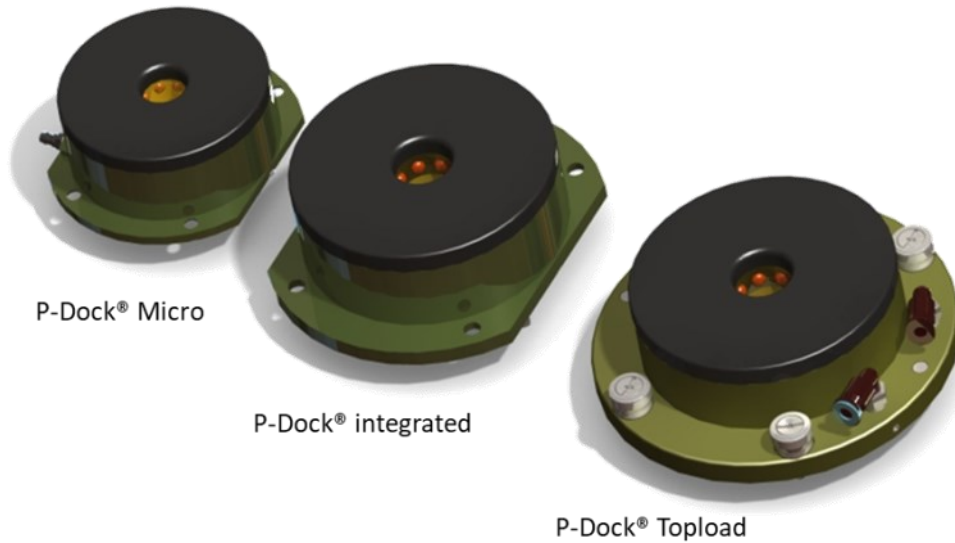
Error prevented docking process.

Exact repeatability and accuracy.

Best tri-temp performance with optional sealing.



P-Dock® Modules—Benchmark winning system



Docking 05/2024

Smart Factory Testcell Integrator

Turbodynamics is well known for innovative customized docking solutions to address any customer requirements for test cell interfaces. We are offering besides docking a whole portfolio to support test cell integration with test head handling trolleys and manipulators. Turbodynamics is also a technology and market leader in probe card auto-exchange, handling and storage to support smart factory / Industry 4.0 requirements.

For more information contact us at:

Turbodynamics GmbH

Neue Strasse 9 | 83071 Stephanskirchen | Germany

Email: info@turbodynamics.com | Phone: +49 8031 90194-0 | Fax: +49 8031 90194-129

