



OUR INNOVATION IS YOUR SUCCESS

Probe Card Storage and Trolleys



Storage System

Probe card handling for heavy and expensive cards up to 45 kg.



OUR INNOVATION IS YOUR SUCCESS

Storage

Automated secure storage space for probe cards/load boards

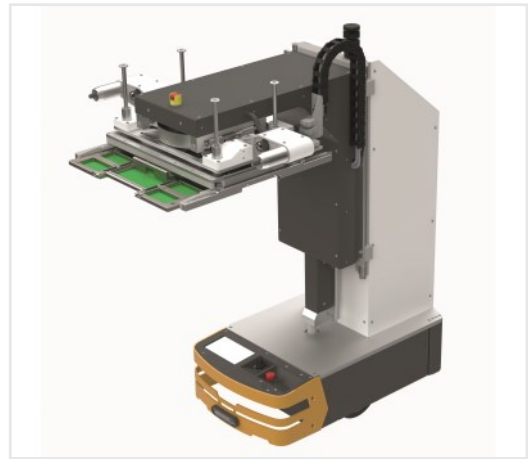
- “hands-free“ operation of heavy and expensive probe cards/load boards
- relief from heavy carriage and avoid human error
- ready for integration into an automated factory
- automated handover possible together with a Probe Card Trolley and/or via Overhead Hoist Transport
- cleanroom environment compliant
- controlled and safe process flow

Probe Card Trolley

For safe and ergonomic transport of probe cards up to 45 kg.

Auto Probe Card Trolley—Bottom Load

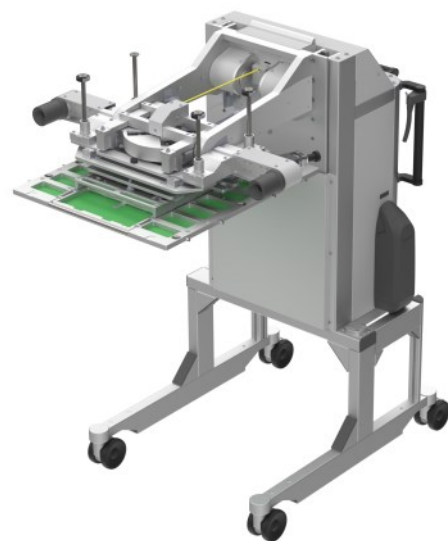
- driven by mobile transport robot (AGV)
- fully automated material flow
- integration possible with already existing AMHS (Automated Material Handling Systems)
- cleanroom environment compliant
- communication protocols according SEMI E82/E84



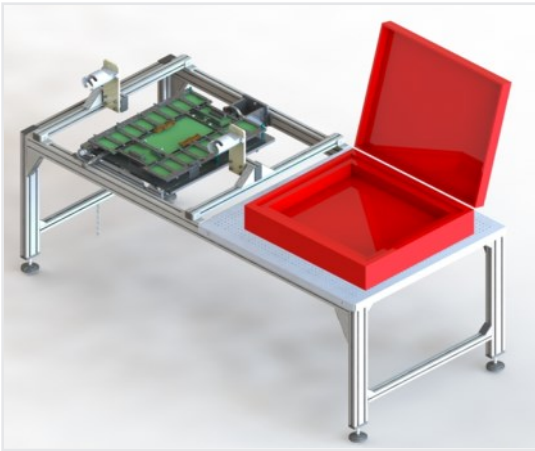
Semi Automated Probe Card Trolley XL

For probing and final test, delivery of probe card through probe card changer (SACC/APC) of prober **or** through board changer at final test.

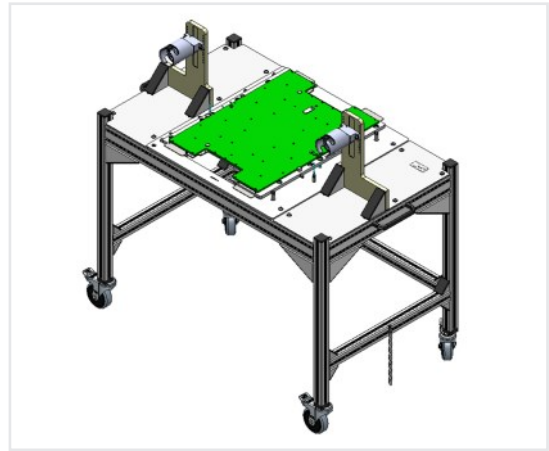
- features large and heavy probe cards up to **45kg**
- guarantees a safe and reliable handling of the probe card throughout the whole process
- retrofit to all common prober types
- features a loading height from 800-1300mm
- motor driven up/down movements
- supporting pick-up from storage boxes
- quick battery exchange
- HMI with failure safe operation mode
- supports usage in maintenance environment
- modular gripper system enables connection to all common probe card types



Accessories Trolleys



Storage Table



Pick Up Table



Flip Table



High Adjustable Table

Smart Factory Testcell Integrator

Turbodynamics, the technology and market leader in probe card auto-exchange, handling and storage for smart factory/Industry 4.0 requirements, is offering in addition a whole portfolio to support testcell integration with test head manipulators and trolleys and docking interfaces for all test heads, test handlers and probers. We are well known for our innovative and customized products to support any customer requirement.

For more information contact us at:

Turbodynamics GmbH

Neue Strasse 9 | 83071 Stephanskirchen | Germany

Email: info@turbodynamics.com | Phone: +49 8031 90194-0 | Fax: +49 8031 90194-129

