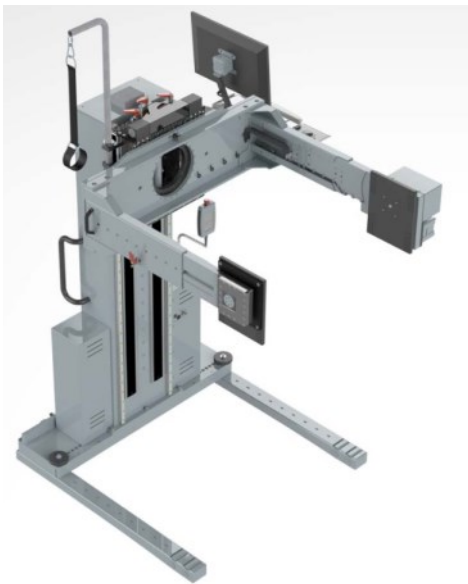


- Mobile Test Head Trolley enables shifting of test heads between test cells
- Smallest footprint due to innovation w/o counterweight
- Ergonomic and high degree of freedom to address all alignment requirements
- Operator friendly and intuitive usage
- Manually guided and/or motorized control
- Modular configuration for individual testfloor applications
- Robust design and high quality manufacturing



Tiger Test Head Trolley Series Overview



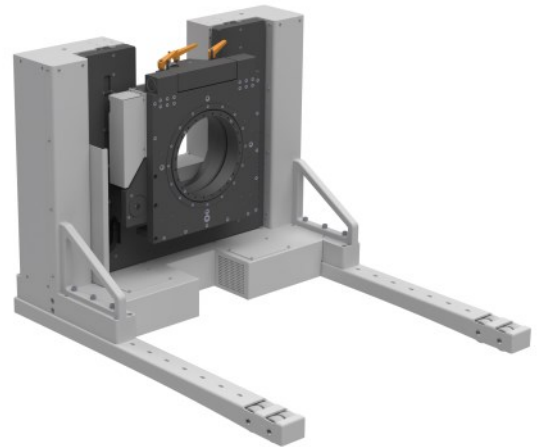
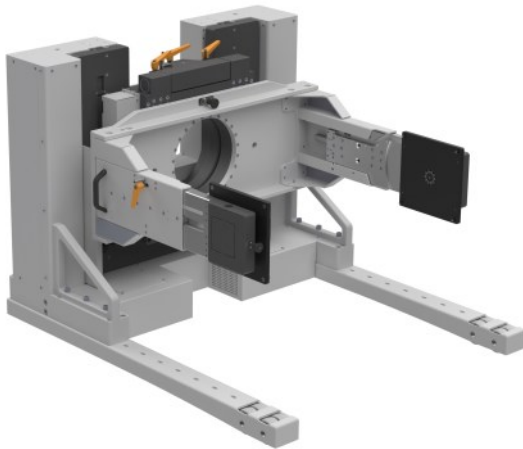
'Zero' Footprint Final Test Trolley



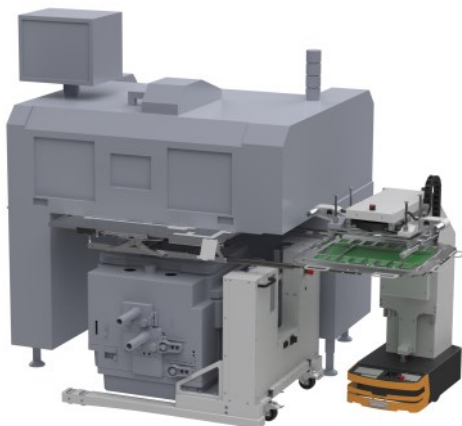
For Test Heads up to ~450kg / 992 lbs.

Tiger OT 450F

- 20 to 30% increase of test floor density and capacity
- All Manipulation options available
 - Twist
 - In - out
 - Tumble
 - Swing
 - Left - right
 - Theta
- Test Head mounting options
 - Standard cradle
 - Direct mount



OUR INNOVATION IS YOUR SUCCESS



Test Cell Automation

Tiger OT 450F

Supporting DIB Changer integration for ergonomic load board exchange

Test Cell Automation Options

- **Manual** load board exchange with DIB Changer
- **Semi automated** with manual Load Board Trolley
- **Fully automated** with auto Load Board Trolley

Universal & Final Test Trolleys

For light Test Heads

Tiger T 150F

up to ~150 kg / 330 lbs.



For medium Test Heads

Tiger T 250U

Tiger T 350U

up to ~350kg / 770 lbs.



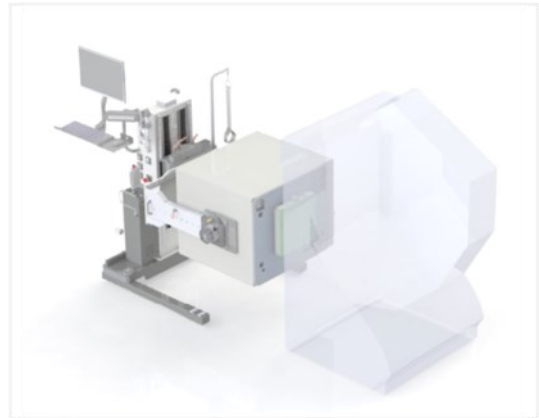
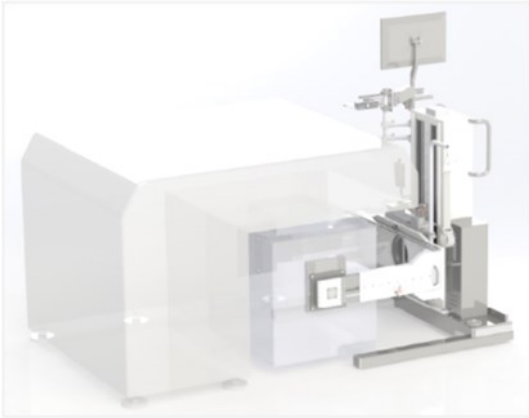
For heavy Test Heads

Tiger T 450U

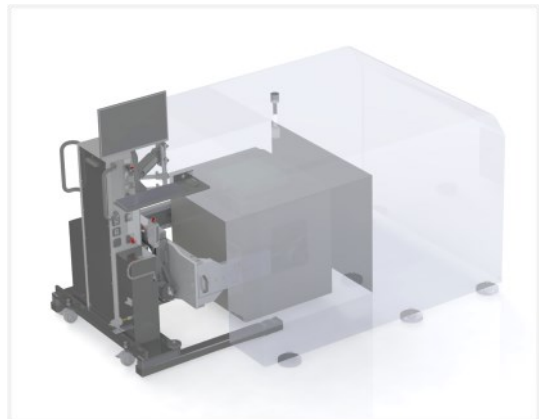
up to ~450kg / 992 lbs.



Tiger Test Head Trolleys



Final Test applications for horizontal and vertical IC Test-Handler



Universal Solutions for Final Test and Probing applications

Smart Factory Testcell Integrator

Turbodynamics is offering besides testhead trolleys a whole portfolio to support testcell integration with manipulators, docking interfaces for all test heads, test handlers and probers. We are well known for innovative customized docking and probe card handling solutions. Turbodynamics is technology and market leader in probe card auto-exchange, handling and storage to support smart factory / Industry 4.0 requirements.

For more information contact us at:

Turbodynamics GmbH

Neue Strasse 9 | 83071 Stephanskirchen | Germany

Email: info@turbodynamics.com | Phone: +49 8031 90194-0 | Fax: +49 8031 90194-129

